







## Right Angle Grinding & Cutting Tools

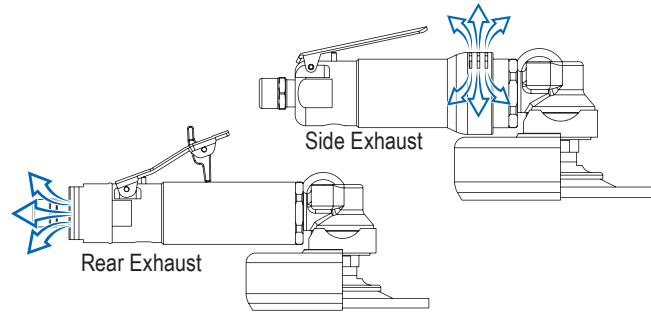
RIGHT ANGLE GRINDERS

| Application  | Page Number      | Tool Configuration   | Abrasive Size       | Model Series  | Power Output      |
|--|------------------|--|---------------------|---------------|-------------------|
| <br>Type 27 Depressed Center Wheels        | 16               |  <ul style="list-style-type: none"> <li>• Large Bearing &amp; Gears for High Duty Cycle &amp; Longevity</li> </ul>                          | 4 Inch (100 mm)     | 300RA         | 0.7 H.P. (600 W)  |
|  |                  |  | 4 1/2 Inch (115 mm) | 300RA         | 0.7 H.P. (600 W)  |
|  |                  |  | 5 Inch (125 mm)     | 400RA/410RA   | 1.2 H.P. (900 W)  |
| <br>Type 1 Cut-off (Type 41) Bonded Wheels | 17               |  <ul style="list-style-type: none"> <li>• Large Bearing &amp; Gears for High Duty Cycle &amp; Longevity</li> <li>• Extended Neck</li> </ul> | 4 Inch (100 mm)     | 300RAE        | 0.7 H.P. (600 W)  |
|  |                  |  | 4 1/2 Inch (115 mm) | 300RAE        | 0.7 H.P. (600 W)  |
|  |                  |  | 5 Inch (125 mm)     | 400RAE/410RAE | 1.2 H.P. (900 W)  |
|  |                  |  | 6 Inch (150 mm)     | 400RAE        | 1.2 H.P. (900 W)  |
|  | 18               |  <ul style="list-style-type: none"> <li>• Small Head for Restricted Applications</li> <li>• Extended Neck</li> </ul>                        | 4 Inch (100 mm)     | 320RA         | 0.7 H.P. (600 W)  |
|  |                  |  |                     | 420RA         | 1.2 H.P. (900 W)  |
|  | 19               |  <ul style="list-style-type: none"> <li>• Large Head for Larger Size Abrasives</li> </ul>  | 7 Inch (180 mm)     | 520RA         | 2.0 H.P. (1.5 kW) |
|  | 9 Inch (230 mm)  |  |                     |               |                   |
|  | 10 Inch (250 mm) |  |                     |               |                   |

### LEVER STYLE



### EXHAUST DIRECTION



Rear exhaust overhose for the 300 Series  
Only available on Rear Exhaust tools.



Rear exhaust overhose for the 400 Series  
Only available on Rear Exhaust tools.

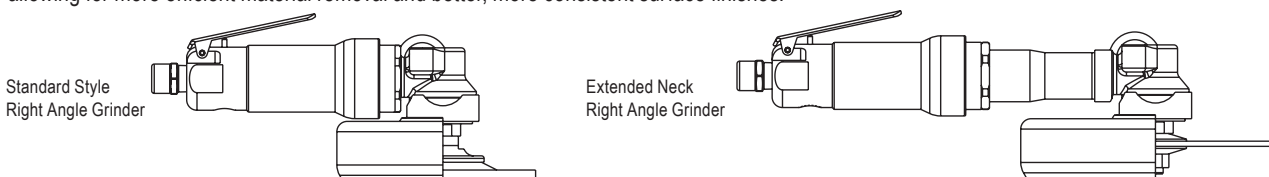
### CASE MATERIAL



The choice of case material affects the weight and durability of the tool. By its nature, aluminum is lighter in weight than steel. Steel is more durable in aggressive environments.

### Extended Neck vs Standard

Extended neck tools allow the operator to reach further into the workpiece. This extended reach coupled with the small heads found on Top Cat tools can allow fine finishing in the tightest of areas. Furthermore, the extended neck tools can be fitted with larger diameter abrasives allowing for more efficient material removal and better, more consistent surface finishes.

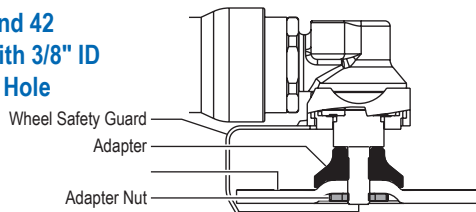


## Right Angle Grinding & Cutting Tools

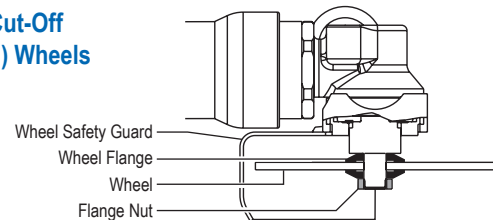
|  | 3/8-24 x 1.0 Inch Spindle   | 5/8-11 x 1.0 Inch Spindle  | 3/8-24 x 0.6 Inch Spindle   |
|--|---|--|---|
| <b>Output Thread Size &amp; Length</b> |   |  |   |
| <b>Popular Wheel Sizes &amp; Type</b>  | <ul style="list-style-type: none"> <li>• 4 Inch Type 27 and Type 27 Cut-Off (Type 42)</li> </ul>  | <ul style="list-style-type: none"> <li>• 4 1/2 Inch Type 27 and Type 27 Cut-Off (Type 42)</li> <li>• 4 1/2 Inch Type 1 Cut-Off (Type 41)</li> </ul>                                    | <ul style="list-style-type: none"> <li>• 4" Type 1 Cut-Off (Type 41)</li> </ul> |
| <b>Optional Wheel Sizes &amp; Type</b> | <ul style="list-style-type: none"> <li>• 4 1/2 Inch Type 27 and Type 27 Cut-Off (Type 42)</li> <li>• 4 1/2 Inch Type 1 Cut-Off (Type 41)</li> <li>• 5 Inch Type 27 and Type 27 Cut-Off (Type 42)</li> <li>• 5 Inch Type 1 Cut-off (Type 41)</li> <li>• 6 Inch Type 1 Cut-off (Type 41)</li> </ul> | <ul style="list-style-type: none"> <li>• 5 Inch Type 27 and Type 27 Cut-Off (Type 42)</li> <li>• 5 Inch Type 1 Cut-off (Type 41)</li> <li>• 6 Inch Type 1 Cut-off (Type 41)</li> </ul> |   |

### Wheel Mounting for Right Angle Grinders

#### Type 27 and 42 Wheels with 3/8" ID Mounting Hole



#### Type 1 Cut-Off (Type 41) Wheels



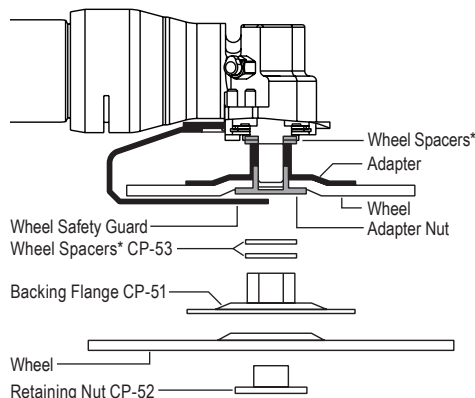
| Adapter Set Number | Spindle Size      |
|--------------------|-------------------|
| 490-KR             | 3/8-24 x 0.6 Inch |
| 490-K              | 3/8-24 x 1.0 Inch |

| Part Number | Spindle Size | Wheel Mounting Hole |
|-------------|--------------|---------------------|
| 400-G-42    | 3/8-24       | 4" or Smaller       |
| 1100-682    |              | 4-1/2" or Larger    |
| 1100-680    | 5/8-11       |                     |

Ordered as individual parts

| Wheel Nut Part Number | Spindle Size |
|-----------------------|--------------|
| 400-G-37              | 3/8-24       |
| 700-34                | 5/8-11       |

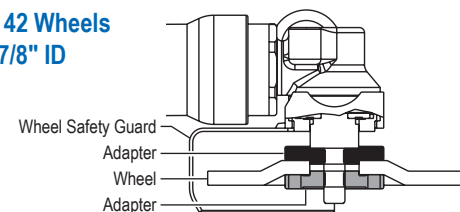
#### 520RA Type 27 and 42 Wheels



**Note:**  
The 849269 depressed center wheel adapter kit is sold separately from the tool.

\* Spacers can be used to Place the Wheel within the Bottom Lip of the Guard

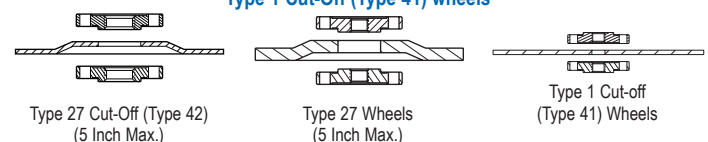
#### Type 27 and 42 Wheels with 5/8" or 7/8" ID Mounting



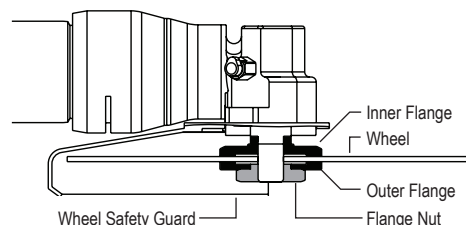
| Adapter Set Part Number | Spindle Size | Wheel Mounting Hole |
|-------------------------|--------------|---------------------|
| AA-ADT27-354            | 3/8-24       | 5/8"                |
| AA-ADT27-375            |              | 7/8"                |
| AA-ADT27-575            | 5/8-11       |                     |

Ordered as Adapter Sets or Individual Parts

These Adapters can be used to mount either Type 27, Type 27 Cut-Off (Type 42) or Type 1 Cut-Off (Type 41) wheels

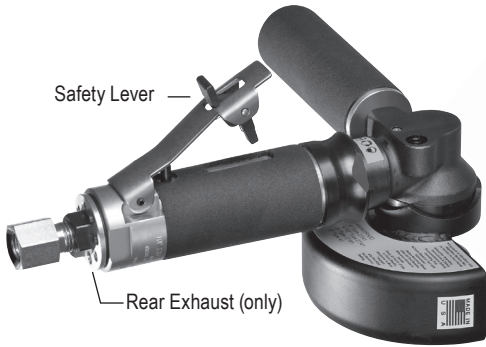


#### 520RA Type 1 Cut-Off (Type 41) Wheels

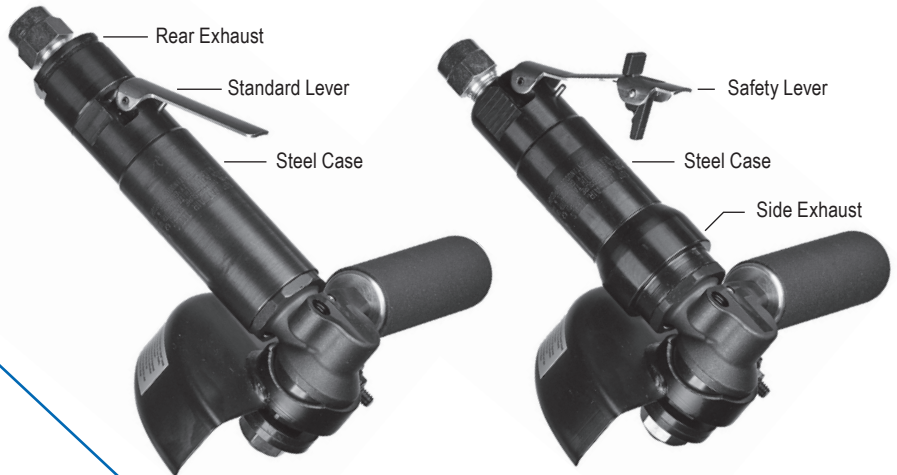


## Short Right Angle Grinders for Type 27, Type 27 Cut-Off (Type 42) & Type 1 Cut-Off (Type 41) Wheels

### 300RA Series



### 400RA/410RA Series

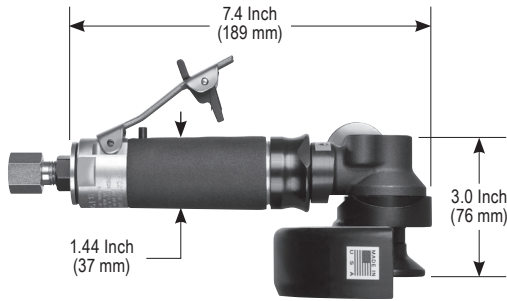


300RA4K;15000;427

400RA2RS;10000;4527

400RA2SK;10000;4527

| Wheel Size          | Exhaust Direction  | Lever Style         | MODEL NUMBER             |   | Wheel Size          | Rated Speed         | Exhaust Direction   | Lever Style          | MODEL NUMBER             |   |
|---------------------|--------------------|---------------------|--------------------------|---|---------------------|---------------------|---------------------|----------------------|--------------------------|---|
|                     |                    |                     | Type 27 Wheels (Type 42) | Type 1 or Type 1 Cut-Off Wheels (Type 41) |                     |                     |                     |                      | Type 27 Wheels (Type 42) | Type 1 or Type 1 Cut-Off Wheels (Type 41) |
| 4 Inch (100 mm)     | Rear               | Standard Lever      | 300RA4;15000;427         | 300RA1;15000;441                          | 4 1/2 Inch (115 mm) | 10000 RPM           | Side                | Standard Lever       | 400RA2S;10000;4527       | 400RA2S;10000;4541                        |
|                     |                    | Safety Lever        | 300RA4K;15000;427        | 300RA1K;15000;441                         |                     |                     |                     | Safety Lever         | 400RA2SK;10000;4527      | 400RA2SK;10000;4541                       |
| Standard Lever      |                    | 300RA2;13000;4527   | 300RA2;13000;4541        | Rear                                      |                     |                     | Standard Lever      | 400RA2RS;10000;4527  | 400RA2RS;10000;4541      |   |
|                     |                    | Safety Lever        | 300RA2K;13000;4527       |   |                     |                     | 300RA2K;13000;4541  | Safety Lever         | 400RA2RSK;10000;4527     | 400RA2RSK;10000;4541                      |
| 4 1/2 Inch (115 mm) | Standard Lever     | 300RA2;13000;4527   | 300RA2;13000;4541        | 13000 RPM                                 |                     | Side                | Standard Lever      | 410RA2S;13000;4527   | 410RA2S;13000;4541       |   |
|                     |                    | Safety Lever        | 300RA2K;13000;4527       |   |                     |                     | 300RA2K;13000;4541  | Safety Lever         | 410RA2SK;13000;4527      | 410RA2SK;13000;4541                       |
| Standard Lever      | 410RA2S;13000;4527 | 410RA2S;13000;4541  | Rear                     |   |                     | Standard Lever      | 410RA2RS;13000;4527 | 410RA2RS;13000;4541  |                          |   |
|                     | Safety Lever       | 410RA2SK;13000;4527 |                          |   |                     | 410RA2SK;13000;4541 | Safety Lever        | 410RA2RSK;13000;4527 | 410RA2RSK;13000;4541     |   |



0.7 H.P.  
(600 W)



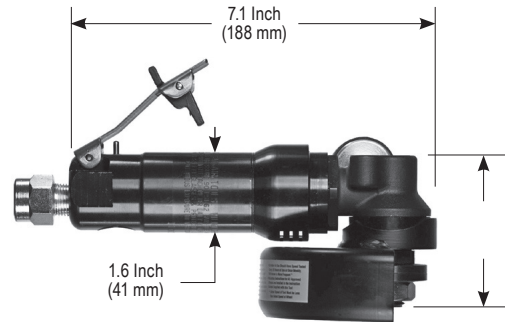
25 cfm  
(11.8 L/s) Max



2.8 Lbs. (1.3 Kg) Aluminum  
3.2 Lbs. (1.5 Kg) Steel



1/4" NPT Inlet  
3/8" (10 mm) Hose Size



1.2 H.P.  
(900 W)



35 cfm  
(16.5 L/s) Max



3.2 Lbs. (1.5 Kg) Aluminum  
3.8 Lbs. (1.7 Kg) Steel



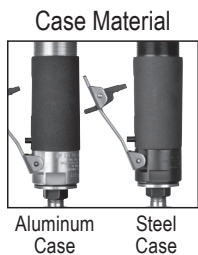
3/8" NPT Inlet  
1/2" (13 mm) Hose Size

### STANDARD EQUIPMENT

- Tool
- Operating Instructions and Service Manual
- Wrenches (sizes based on options)



### 300RA Alternate Options



### 400RA Alternate Options



### Wheel Mounting



**Extended Right Angle Grinders for Type 27, Type 27 Cut-Off (Type 42) & Type 1 Cut-Off (Type 41) Wheels**

**300RAE Series**



300RAE2;13000;4527

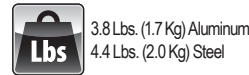
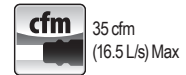
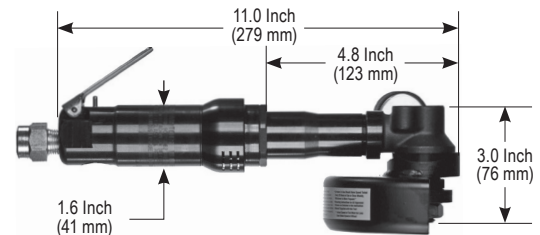
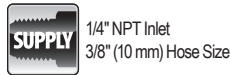
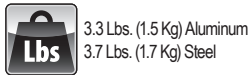
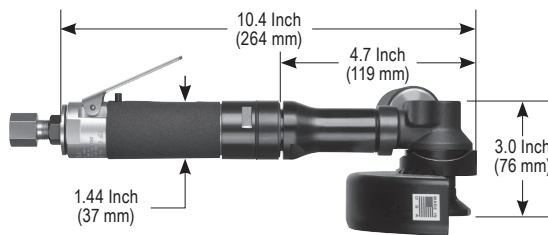
**400RAE/410RAE Series**



400RAE2S;10000;4527

400RAE2SRK;10000;641

| Wheel Size                   | Exhaust Direction | Lever Style    | MODEL NUMBER             |   | Wheel Size          | Rated Speed  | Exhaust Direction | Lever Style           | MODEL NUMBER             |   |
|------------------------------|-------------------|----------------|--------------------------|---|---------------------|--------------|-------------------|-----------------------|--------------------------|---|
|                              |                   |                | Type 27 Wheels (Type 42) | Type 1 or Type 1 Cut-Off Wheels (Type 41) |                     |              |                   |                       | Type 27 Wheels (Type 42) | Type 1 or Type 1 Cut-Off Wheels (Type 41) |
| 4 Inch (100 mm)              | Side              | Standard Lever | 300RAE4;15000;427        | 300RAE1;15000;441                         | 4 1/2 Inch (115 mm) | 10000 RPM    | Side              | Standard Lever        | 400RAE2S;10000;4527      | 400RAE2S;10000;4541                       |
|                              |                   | Safety Lever   | 300RAE4K;15000;427       | 300RAE1K;15000;441                        |                     |              |                   | Safety Lever          | 400RAE2SK;10000;4527     | 400RAE2SK;10000;4541                      |
|                              | Rear              | Standard Lever | 300RAE4R;15000;427       | 300RAE1R;15000;441                        |                     |              | Rear              | Standard Lever        | 400RAE2SR;10000;4527     | 400RAE2SR;10000;4541                      |
|                              |                   | Safety Lever   | 300RAE4RK;15000;427      | 300RAE1RK;15000;441                       |                     |              | Safety Lever      | 400RAE2SRK;10000;4527 | 400RAE2SRK;10000;4541    |   |
| 4 1/2 Inch (115 mm)          | Side              | Standard Lever | 300RAE2;13000;4527       | 300RAE2;13000;4541                        |                     | 13000 RPM    | Side              | Standard Lever        | 410RAE2S;13000;4527      | 410RAE2S;13000;4541                       |
|                              |                   | Safety Lever   | 300RAE2K;13000;4527      | 300RAE2K;13000;4541                       |                     |              |                   | Safety Lever          | 410RAE2SK;13000;4527     | 410RAE2SK;13000;4541                      |
|                              | Rear              | Standard Lever | 300RAE2R;13000;4527      | 300RAE2R;13000;4541                       |                     |              | Rear              | Standard Lever        | 410RAE2SR;13000;4527     | 410RAE2SR;13000;4541                      |
|                              |                   | Safety Lever   | 300RAE2RK;13000;4527     | 300RAE2RK;13000;4541                      |                     |              | Safety Lever      | 410RAE2SRK;13000;4527 | 410RAE2SRK;13000;4541    |   |
| 6 Inch (150 mm) Cut-Off Only | Side              | Standard Lever |                          |   | 10000 RPM           | Side         | Standard Lever    |                       | 400RAE2S;10000;641       |   |
|                              |                   | Safety Lever   |                          |   |                     |              | Safety Lever      |                       | 400RAE2SK;10000;641      |   |
|                              | Rear              | Standard Lever |                          |   |                     | Rear         | Standard Lever    |                       | 400RAE2SR;10000;641      |   |
|                              |                   | Safety Lever   |                          |   |                     | Safety Lever |                   | 400RAE2SRK;10000;641  |                          |   |



**STANDARD EQUIPMENT**

- Tool
- Operating Instructions and Service Manual
- Wrenches (sizes based on options)



**300RAE Alternate Options**



**400RAE Alternate Options**



**Wheel Mounting**



**Extended Right Angle Grinders with Small Heads for Type 27 Depressed Center & Type 1 Cut-Off (Type 41) Wheels**

**320RA Series**



**320RA4K;15000;441**

**420RA Series**

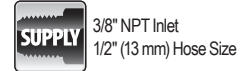
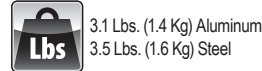
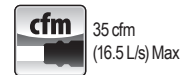
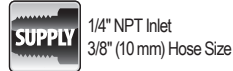
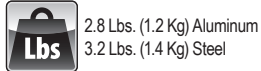
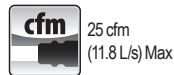
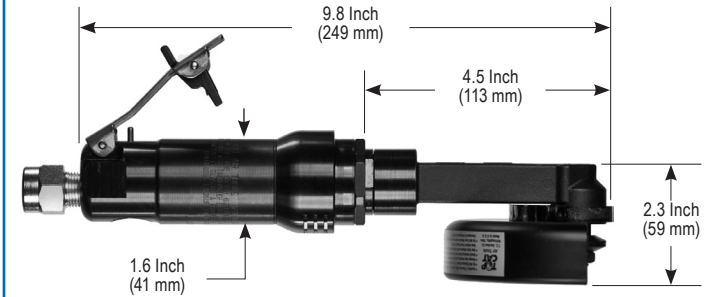
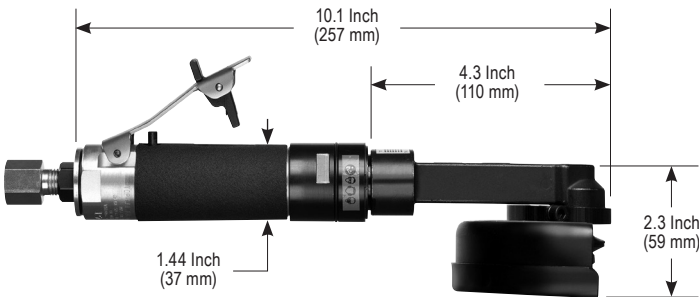


**420RA4RS;13000;427**

**420RA4SK;13000;441**

| Wheel Size      | Exhaust Direction | Lever Style    | MODEL NUMBER             |   |
|-----------------|-------------------|----------------|--------------------------|---|
|                 |                   |                | Type 27 Wheels (Type 42) | Type 1 or Type 1 Cut-Off Wheels (Type 41) |
| 4 Inch (100 mm) | Side              | Standard Lever | 320RA4;15000;427         | 320RA4;15000;441                          |
|                 |                   | Safety Lever   | 320RA4K;15000;427        | 320RA4K;15000;441                         |
|                 | Rear              | Standard Lever | 320RA4R;15000;427        | 320RA4R;15000;441                         |
|                 |                   | Safety Lever   | 320RA4RK;15000;427       | 320RA4RK;15000;441                        |

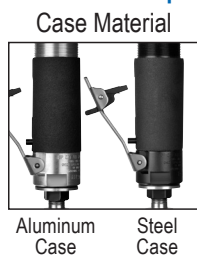
| Wheel Size      | Exhaust Direction | Lever Style    | MODEL NUMBER             |   |
|-----------------|-------------------|----------------|--------------------------|---|
|                 |                   |                | Type 27 Wheels (Type 42) | Type 1 or Type 1 Cut-Off Wheels (Type 41) |
| 4 Inch (100 mm) | Side              | Standard Lever | 420RA4S;13000;427        | 420RA4S;13000;441                         |
|                 |                   | Safety Lever   | 420RA4SK;13000;427       | 420RA4SK;13000;441                        |
|                 | Rear              | Standard Lever | 420RA4RS;13000;427       | 420RA4RS;13000;441                        |
|                 |                   | Safety Lever   | 420RA4RSK;13000;427      | 420RA4RSK;13000;441                       |



**STANDARD EQUIPMENT**

- Tool
- Operating Instructions and Service Manual
- Wrenches (sizes based on options)

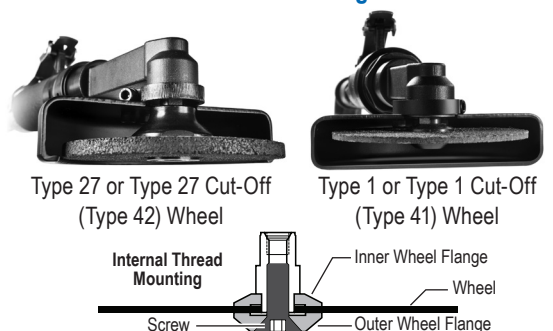
**320RA Alternate Options**



**420RA Alternate Options**



**Wheel Mounting**



**Right Angle Grinders for Type 27, Type 27 Cut-Off (Type 42), Type 1 Cut-Off (Type 41) Wheels**

**520RA Series**



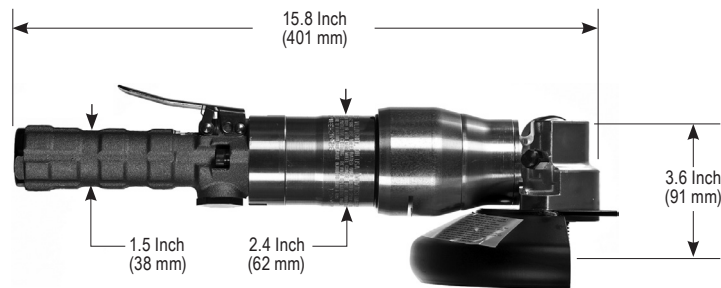
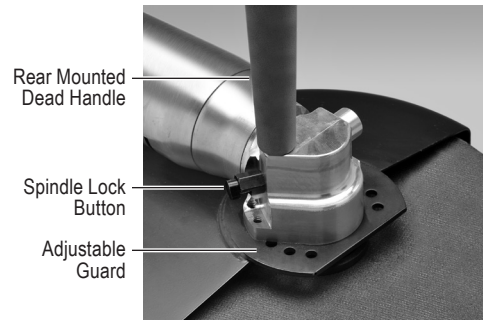
520RAK;8000;727



520RA2L;6000;1041

RIGHT ANGLE GRINDERS

| Wheel Size      | Rated Speed | Lever Style    | MODEL NUMBER             |   |
|-----------------|-------------|----------------|--------------------------|---|
|                 |             |                | Type 27 Wheels (Type 42) | Type 1 or Type 1 Cut-Off Wheels (Type 41) |
| 7 Inch (180 mm) | 6000 RPM    | Standard Lever | 520RAL;6000;727          |   |
|                 |             | Safety Lever   | 520RAK;6000;727          |   |
|                 | 8000 RPM    | Standard Lever | 520RAL;8000;727          |   |
|                 |             | Safety Lever   | 520RAK;8000;727          |   |
| 9 Inch (230 mm) | 6000 RPM    | Standard Lever | 520RAL;6000;927          |   |
|                 |             | Safety Lever   | 520RAK;6000;927          |   |
|                 |             | Standard Lever | 520RA2L;6000;1041        |   |
|                 |             | Safety Lever   | 520RA2K;6000;1041        |   |



**HP** 2.0 H.P. (1.5 kW)

**cfm** 20 cfm (9.4 L/s) Free Speed  
40 cfm (18.9 L/s) Max

**Lbs** 7.8 Lbs. (3.5 Kg)

**SUPPLY** 1/2" NPT Inlet  
1/2" (13 mm) Hose Size

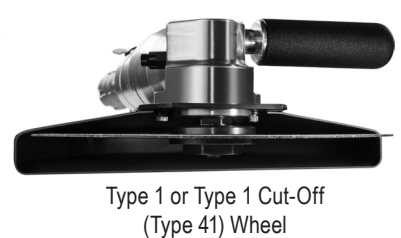
**STANDARD EQUIPMENT**

- Tool
- Operating Instructions and Service Manual
- Wrenches (sizes based on options)

**520RA Alternate Options**



**Wheel Mounting**



The depressed center wheel adapters (P/N: 849269) are not supplied as standard equipment with the tools. If you are using a wheel that requires adapters, they must be purchased separately.